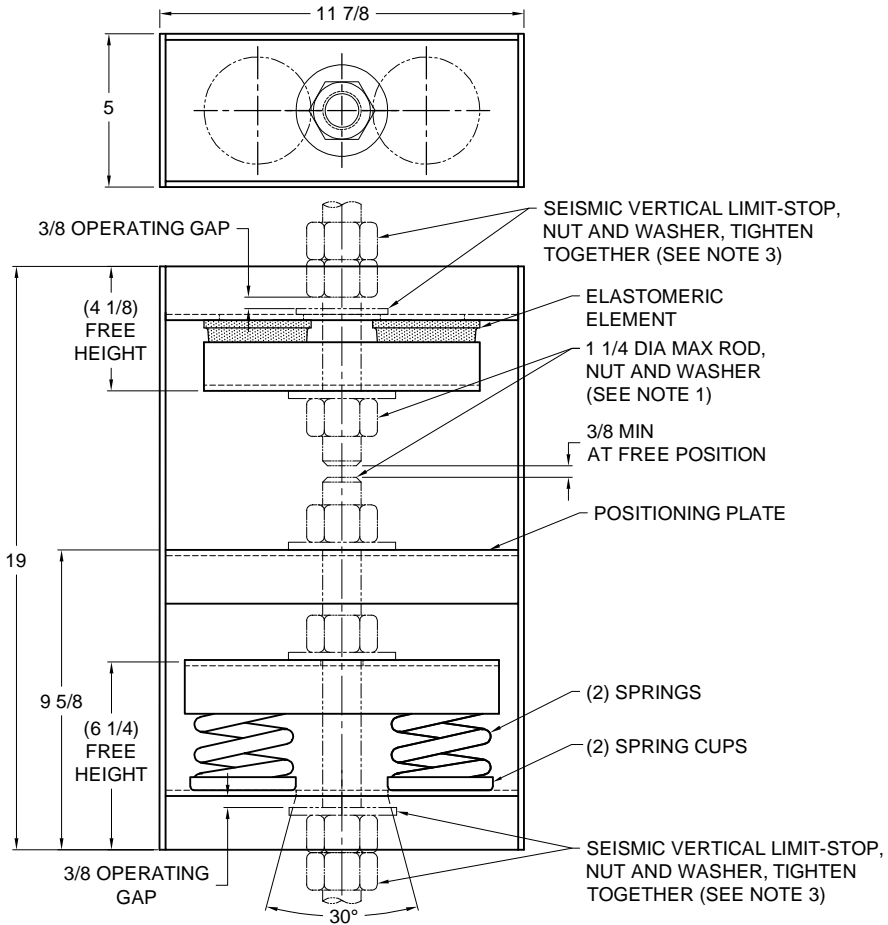


REV.	DESCRIPTION	DATE	BY



TYPE H2RSPA-1E ELASTOMERIC & SPRING POSITIONING & ANGULARITY HANGERS FOR 1" NOMINAL DEFLECTION

HANGER	RATED LOAD (LBS)	DEFLECTION (IN.)	SPRING RATE (LB/IN)	SPRING COLOR CODE	ELEMENT LOAD & COLOR CODE
H2RSPA-1E-1650N ¹	1650	1.40	1540	RED/ DK BLUE	(2) RE-D-1350 RED
H2RSPA-1E-2800	2800	1.37	2800	PINK	(2) RE-D-1900 GREEN
H2RSPA-1E-3400N ¹	3400	1.55	3090	PINK/ DK BLUE	(2) RE-D-1900 GREEN
H2RSPA-1E-4000	4000	1.44	3604	WHITE	(2) RE-D-3050 GRAY
H2RSPA-1E-5150N ¹	5150	1.53	4640	WHITE/ DK PURPLE	(2) RE-D-3050 GRAY
H2RSPA-1E-5980N ¹	5980	1.60	5388	WHITE/ DK GREEN	(2) RE-D-3050 GRAY
H2RSPA-1E-6500N ¹	6500	1.43	6250	WHITE/ GRAY	(2) RE-D-4200 BLUE

NOTES:
 1. TWO NESTED SPRINGS YIELD THIS LOAD. THE COLOR IS FOR OUTER SPRING/ INNER SPRING.



- NOTES:**
- HANGER RODS, NUTS AND WASHERS, AS SHOWN, NOT BY THE VMC GROUP.
 - STANDARD FINISH: HANGER BOX - PAINTED, POWDER COATED OR GALVANIZED STEEL, SPRING - POWDER COAT.
 - SEISMIC VERTICAL LIMIT-STOP REQUIRED FOR SEISMIC APPLICATIONS, NOT BY THE VMC GROUP. INSTALL WASHER 1/4 THK. MIN. X 3-1/2 O.D. MIN. WITH REQUIRED INSIDE DIAMETER TO ACCOMMODATE ROD SIZE IN USE. THIS CAN BE ACCOMPLISHED BY USING A SINGLE WASHER OR BY STACKING NOT MORE THAN TWO WASHERS.
 - ALL DIMENSIONS IN INCHES. INTERPRET PER ANSI Y14.
 - ALL DIMENSIONS ARE FOR REFERENCE, DIMENSIONS SHOWN AS NOMINAL.
 - ALL SPRINGS ARE DESIGNED WITH MINIMUM 50% OVER-TRAVEL.
 - HANGER BOXES WITH AN ELASTOMERIC ELEMENT HAVE UP TO AN ADDITIONAL 1/2" NOMINAL DEFLECTION.
 - RATED DEFLECTIONS ARE WITHIN 25% OF NOMINAL. HIGHER DEFLECTIONS ARE ALLOWED IF THEY MEET SPECIFICATIONS.

ISOLATOR SELECTIONS	
LOC 1:	LOC 2:
LOC 3:	LOC 4:
LOC 5:	LOC 6:
LOC 7:	LOC 8:
CUSTOMER EQPT. TAG:	

NOTE: MATERIAL SHOWN IS FOR (1) SET.
 OTHER MATERIALS, COMPOUNDS, OR FINISHES WITH EQUAL OR SUPERIOR PROPERTIES MAY BE SUBSTITUTED AS THEY BECOME AVAILABLE.

CERTIFIED FOR:

JOB NAME: _____

CUSTOMER: _____

CUSTOMER P.O.: _____

SALES ORDER: _____

**MODEL H2RSPA-1E 1650-6500 LBS.
 PRE-POSITIONING DOUBLE ELASTOMERIC
 AND SPRING ANGULARITY HANGERS
 1 INCH DEFLECTION**



SCALE: NONE

SHEET: _____

DRAWING NO.: _____

REVISION: _____